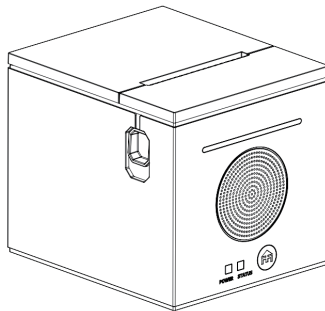




User's Manual

THERMAL RECEIPT PRINTER

EC-PM-E200II



1. Safety Notice:

- * Don't touch the printer head with anything.
- * Don't touch the cutter blade.
- * Don't bend the power cord excessively or place any heavy objects onto it.
- * Don't use the printer when it is out of order. This can cause a fire or and electrocution.
- * When connecting or disconnecting the plug, always hold the plug but not the cord.
- * Keep the distance out of children's reach.
- * Use only approved accessories and do not try to disassemble, repair or remodel it by yourself.
- * Install the printer on the stable surface. Choose firm, level surface where avoid vibration.
- * Don't let water or other foreign objects into the printer.
- * Don't connect a telephone line into the peripheral drive connector.
- * We recommend that you unplug the printer from the power outlet if no use it for a long period .

2. Applications:

- * POS system Receipts
- * EFT POS system Receipts
- * Gym, post, hospital, civil aviation system Receipts
- * Inquiry, Service system Receipts
- * Instrument test Receipts
- * Tax, Tab Receipts

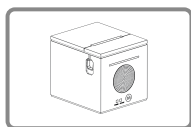
3. Unpacking

After unpacking the unit, check that all the necessary accessories are included in the package.

User's Manual	1 PCS
Printer	1 PCS
Data Cable	1 PCS
Power Adapter (include power cord)	1 SET

4. Features

- * Compact size, abundant function
- * 250mm/sec high-speed printing
- * High print quality
- * Low working noise
- * Support cashdrawer kick-out
- * Easy maintenance
- * Various interface available Serial+USB+Ethernet(C80250I), Serial+USB; Ethernet(C80180I)
- * Built-in data buffer
- * Support character enlargement, bold, underline, line spacing and character spacing
- * Support NV images download
- * Low energy consumption and low operation cost
- * Compatible with ESC/POS command set
- * Character per line and character set can be set by DIP switches
- * Support Ethernet Printing status monitor, multiple connection printing
- * Support printer identification, software binding and high-speed driver mode
- * Support various character sets (include GB18030)
- * High speed driver printing mode, 66%Improvement in print speed though serial port
- * Connect and print Faster, stop receipt misprinting



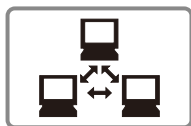
Streamlined structure design



High-speed Printing



Printer Identification



Multiple Connection Printing



Windows Driver



Various Character Sets

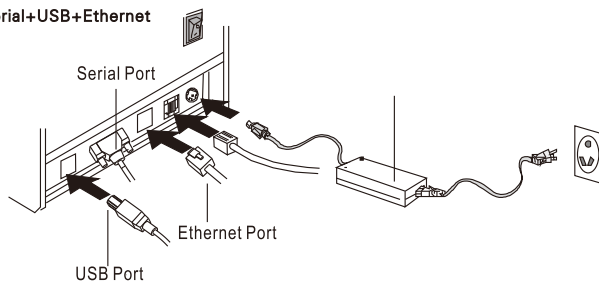
5.Specifications

Model	EC-PM-E200II
Printing speed	250mm/s Max.
Paper roll	Paper width: 79.5+0.5mm Max diameter: 83mm
Printing width	72mm/64mm
Dot pitch	576dots / line&512dots / line
Character size	ANK Character, Font A: 12×24dots, Font B: 9×17dots, Chinese: 24×24dots
Print command	Compatible with ESC/POS
Interface	Serial+USB+Ethernet(C80250I) Serial+USB; Ethernet(C80180I)
Auto cutter	Partial
Reliability print	150Km
Barcode mode	UPC-A/UPC-E/JAN13(EAN13)/JAN8(EAN8)/CODE39/ ITF/CODABAR/CODE93/CODE128
Paper thickness	0.06~0.08mm
Powersupply	DC 24V/2A
Power adapter	Input: AC110V~220V, 50~60HZ Output: DC 24V/2A
Cash drawer	DC 24V/1A
Work temperature	Temperature: 0~45℃, Dampness: 10~80%
Storage temperature	Temperature: -10~60℃, Dampness: 10~90%
Dimensions	152×130×130mm(W×D×H)

6. Printer Connection

- Plug the DC cord connector into the printer's power connector.
- Plug the data cable connector into the printer's interface connector.
- Plug the drawer cable into the drawer kick-out connector on the back of the printer next to the interface connector.

a: Serial+USB+Ethernet



7. Installing the roll paper

- Open the top cover.
- Install the paper roll into the printer.
- Pull out some paper outside the printer and then close the printer cover.
- Close the top cover. Press the printer cover to avoid error position of roll paper.

